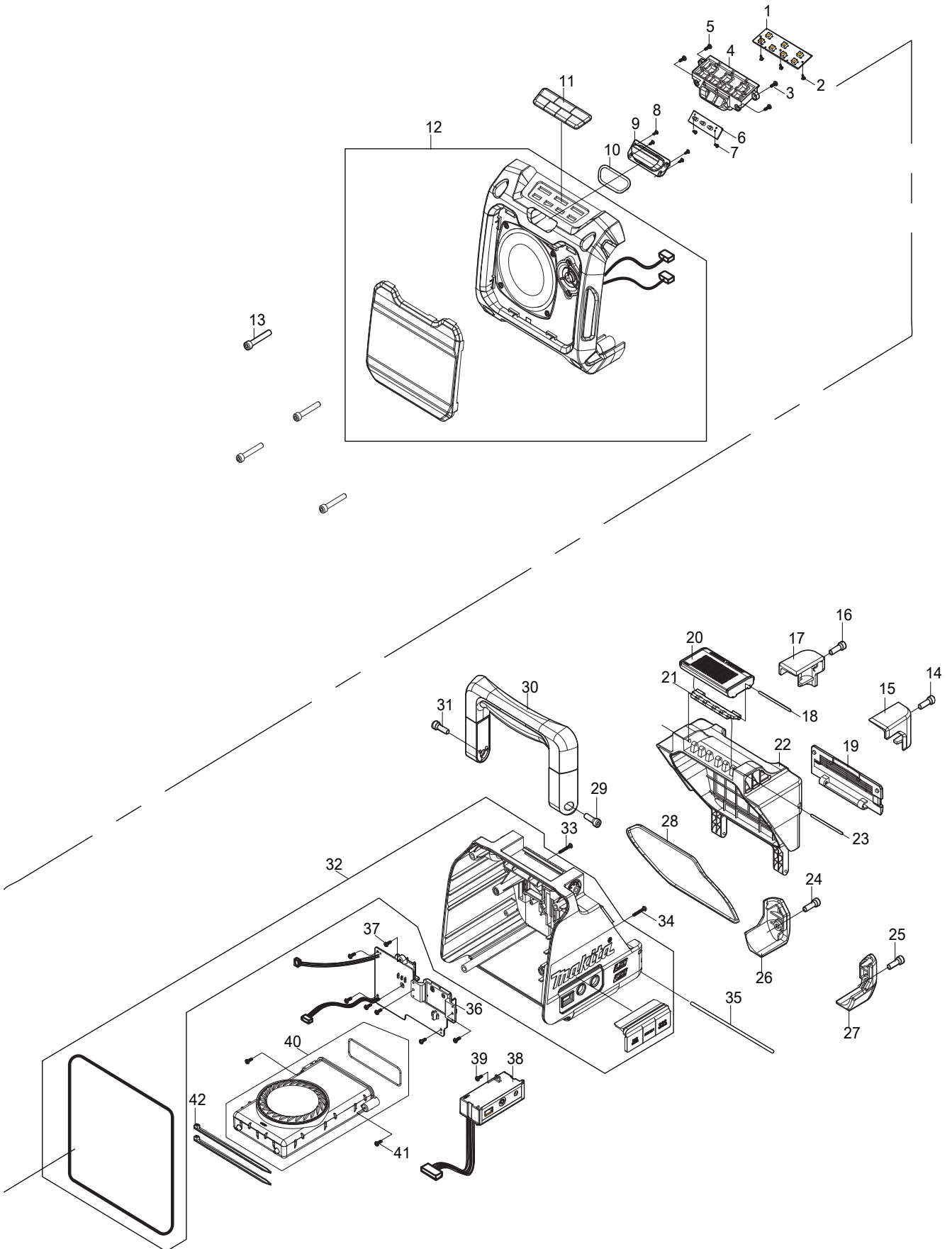




09 - 2017
DMR200C
Jobsite Speaker with Bluetooth



Item No	Type	Sub	Part No	Description	Qty	Unit
001			SE00000519	PCB B ASSY(KEY BOARD)	1	PC.
002			SE00000520	SCREW PTPW M2X6 (NI)	3	PC.
003			SE00000521	SCREW PTB M3X8 (ZK)	2	PC.
004			SE00000522	RUBBER KEY HOLDER	1	PC.
005			SE00000521	SCREW PTB M3X8 (ZK)	2	PC.
006			SE00000523	PCB A LED ASSY	1	PC.
007			SE00000520	SCREW PTPW M2X6 (NI)	2	PC.
008			SE00000520	SCREW PTPW M2X6 (NI)	4	PC.
009			SE00000524	LED LENS	1	PC.
010			SE00000525	LED LENS PACKING	1	PC.
011			SE00000526	RUBBER KEY	1	PC.
012			SE00000626	FRONT CABINET ASSY	1	PC.
		INC.	SE00000630	SPEAKER GRILL	1	PC.
013			SE00000530	HEX HEAD SCREW M6X37 (CR)	4	PC.
014			SE09176166	HEX SCREW M6X16	1	PC.
015			SE00000531	BATTERY BUMPER R	1	PC.
016			SE09176166	HEX SCREW M6X16	1	PC.
017			SE00000532	BATTERY BUMPER L	1	PC.
018			SE00000533	PIN 2X88	1	PC.
019			SE00000534	PHONE COVER ASSY	1	PC.
020			SE00000535	LOCKER COVER	1	PC.
021			SE00000536	LOCKER HINGE	1	PC.
022			SE00000537	BATTERY COVER	1	PC.
023			SE00000539	PIN 2X77	1	PC.
024			SE09176166	HEX SCREW M6X16	1	PC.
025			SE09176166	HEX SCREW M6X16	1	PC.
026			SE00000540	REAR BUMPER L	1	PC.
027			SE00000541	REAR BUMPER R	1	PC.
028			SE00000542	BATTERY PACKING	1	PC.
029			SE09176166	HEX SCREW M6X16	1	PC.
030			SE00000543	HANDLE ASSY	1	PC.
031			SE09176166	HEX SCREW M6X16	1	PC.
032			SE00000545	REAR ASSY	1	PC.
		INC.	SE00000547	JACK RUBBER COVER	1	PC.
		INC.	SE024PC040	PACKING	1	PC.
033			SE00000548	SCREW PTB M3X20 (ZK)	1	PC.
034			SE00000548	SCREW PTB M3X20 (ZK)	1	PC.
035			SE00000549	BATTERY COVER FIXER PIN	1	PC.
036			SE00000592	PCB A ASSY	1	PC.
037			SE00000521	SCREW PTB M3X8 (ZK)	7	PC.
038			SE00000553	JACK HOLDER ASSY	1	PC.
039			SE00000521	SCREW PTB M3X8 (ZK)	1	PC.
040			SE00000555	MOBILE PHONE CASE ASSY	1	PC.
		INC.	SE00000556	PHONE CASE PACKING	1	PC.
041			SE00000557	SCREW PTPW M3X10 (ZK)	2	PC.
042			SE00000195	TIES F/CABLE, WHITE, 100MM	2	PC.
C01			3A91B35Z30000	CARTON F/DMR200	1	PC.
ACCESSORIES				- See Catalogue or visit www.makita.ca for more accessories -		
A01			SE00000499	AC ADAPTER	1	PC.
A02			---	CHARGERS		
A03			---	12V MAX CXT - 18V LXT LI-ION BATTERY		